

Mechanical Rotary Spool Control Type (4 ways)

手動旋轉控制(通口數-4)

EXAMPLE-Order Code:

RAC3 - 4 - 1 - E

1
2
3
4

- RAC- available to 4/8 ways
通口數能達到 4通/8通

- | | |
|---|---|
| 1 | Valve type 型號 |
| 2 | No. of ways 通口數 |
| 3 | Spool type 心軸規格 (see page 47 / 請參考P 47) |
| 4 | Thread type 螺紋規格 |

Type RAC 3

4 way diverter valve 4口換向閥

Nominal flow rating 額定流量	60 L/min	16 US gpm
Operating pressure (Max.) 使用壓力(最大)	315 bar	4600 psi
Fluid temperature 流體溫度	with NBR seals O環 (NBR)	-20°C~80°C -4°F~176°F
	with FPM seals O環 (FPM)	-20°C~100°C -4°F~212°F
Viscosity 黏度係數	Operating range 建議使用範圍	15 mm ² /s~75 mm ² /s 15~75 cst
	Max. 最大	400 mm ² /s 400 cst
	Min. 最小	12 mm ² /s 12 cst
Ambient temperature 環境溫度	-40°C~60°C	-40°F~140°F

Standard threads

PORTS	BSP	UN-UNF
A	G 3/8	3/4 - 16 (SAE 8)
B	G 3/8	3/4 - 16 (SAE 8)
C	G 3/8	3/4 - 16 (SAE 8)
T	G 3/8	3/4 - 16 (SAE 8)

Type RAC 5

4 way diverter valve 4口換向閥

Nominal flow rating 額定流量	90 L/min	24 US gpm
Operating pressure (Max.) 使用壓力(最大)	315 bar	4600 psi
Fluid temperature 流體溫度	with NBR seals O環 (NBR)	-20°C~80°C -4°F~176°F
	with FPM seals O環 (FPM)	-20°C~100°C -4°F~212°F
Viscosity 黏度係數	Operating range 建議使用範圍	15 mm ² /s~75 mm ² /s 15~75 cst
	Max. 最大	400 mm ² /s 400 cst
	Min. 最小	12 mm ² /s 12 cst
Ambient temperature 環境溫度	-40°C~60°C	-40°F~140°F

Standard threads

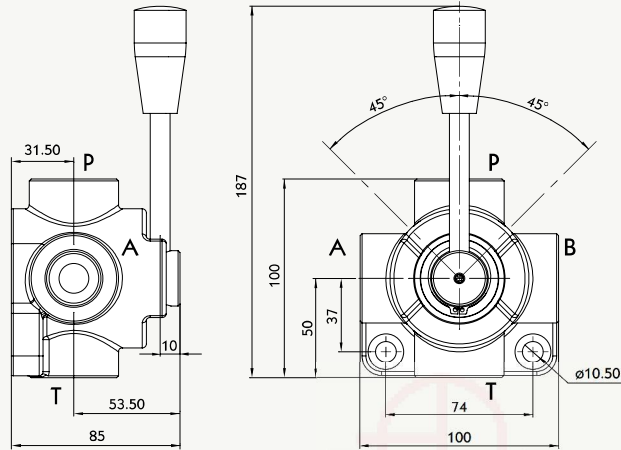
PORTS	BSP	UN-UNF
A	G 1/2	7/8-14 (SAE 10)
B	G 1/2	7/8-14 (SAE 10)
C	G 1/2	7/8-14 (SAE 10)
T	G 1/2	7/8-14 (SAE 10)

Mechanical Rotary Spool Control Type (4 ways)

手動旋轉控制(通口數-4)

Type RAC 6

4 way diverter valve 4口換向閥



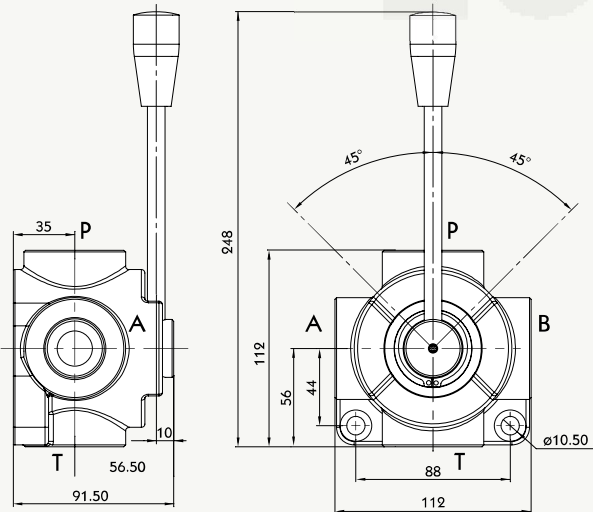
Nominal flow rating 額定流量	140 L/min	37 US gpm
Operating pressure (Max.) 使用壓力 (最大)	315 bar	4600 psi
Fluid temperature 流體溫度	with NBR seals O環 (NBR)	-20°C~80°C -4°F~176°F
	with FPM seals O環 (FPM)	-20°C~100°C -4°F~212°F
Viscosity 黏度係數	Operating range 建議使用範圍	15 mm ² /s~75 mm ² /s 15~75 cst
	Max. 最大	400 mm ² /s 400 cst
	Min. 最小	12 mm ² /s 12 cst
Ambient temperature 環境溫度	-40°C~60°C	-40°F~140°F

Standard threads

PORTS	BSP	UN-UNF
A	G 3/4	1 1/16-12 (SAE 12)
B	G 3/4	1 1/16-12 (SAE 12)
C	G 3/4	1 1/16-12 (SAE 12)
T	G 3/4	1 1/16-12 (SAE 12)

Type RAC 7

4 way diverter valve 4口換向閥

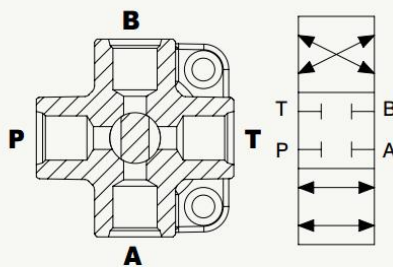


Nominal flow rating 額定流量	200 L/min	53 US gpm
Operating pressure (Max.) 使用壓力 (最大)	250 bar	3600 psi
Fluid temperature 流體溫度	with NBR seals O環 (NBR)	-20°C~80°C -4°F~176°F
	with FPM seals O環 (FPM)	-20°C~100°C -4°F~212°F
Viscosity 黏度係數	Operating range 建議使用範圍	15 mm ² /s~75 mm ² /s 15~75 cst
	Max. 最大	400 mm ² /s 400 cst
	Min. 最小	12 mm ² /s 12 cst
Ambient temperature 環境溫度	-40°C~60°C	-40°F~140°F

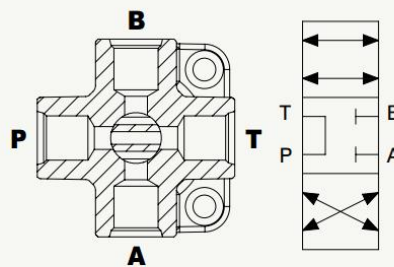
Standard threads

PORTS	BSP	UN-UNF
A	G 1	1 5/16-12 (SAE 16)
B	G 1	1 5/16-12 (SAE 16)
C	G 1	1 5/16-12 (SAE 16)
T	G 1	1 5/16-12 (SAE 16)

RAC SPOOL TYPE 心軸規格



SPOOL TYPE - 1



SPOOL TYPE - 2